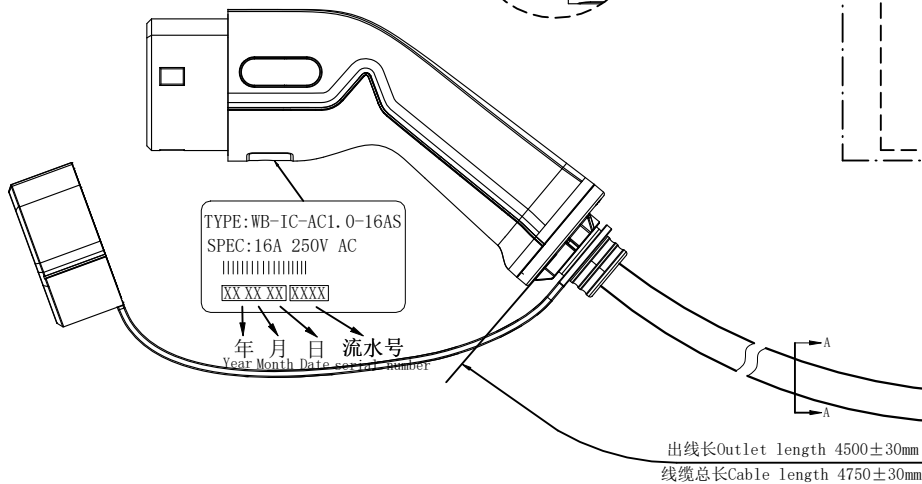
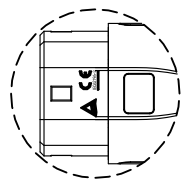
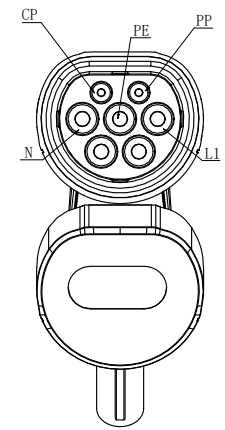


版本	标记	修订内容	签名	日期
1.0		初始发行	华佳辉	20220908

1. 充电插头: 根据IEC62196-1 2014, IEC62196-2 2017标准
 Charging plug: according to IEC62196-1 2014, IEC62196-2 2017 standard

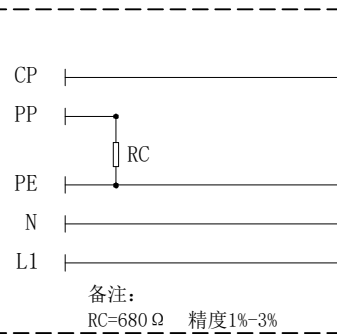
触头布置图 (Pin Layout Chart)



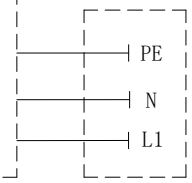
出线长Outlet length 4500±30mm
 线缆总长Cable length 4750±30mm

接线方式(Method of connecting wire)

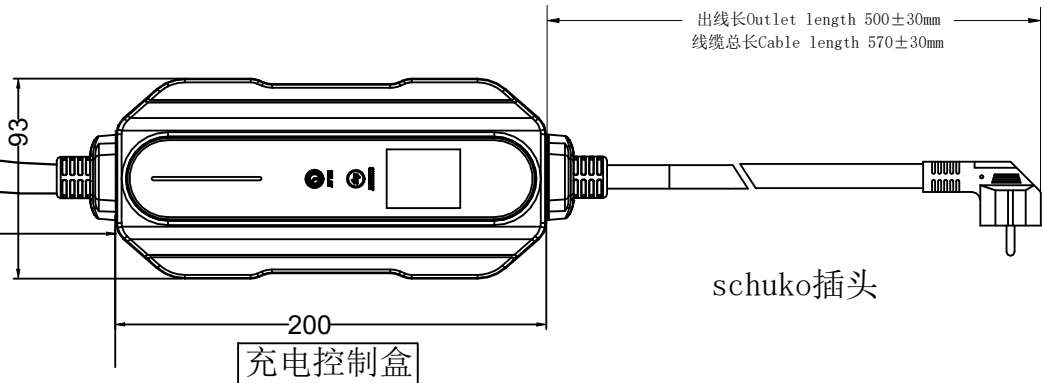
欧标充电枪



控制盒

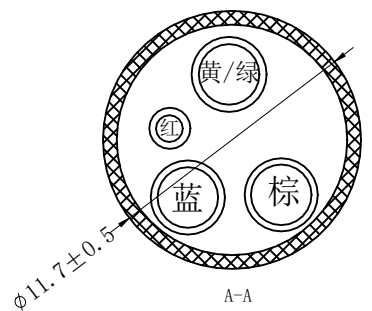


功能	颜色(Colour)	截面积
CP	红色(Red)	0.5mm ²
PP	—	—
PE	黄绿(Yellow-Green)	2.5mm ²
N	蓝色(Blue)	2.5mm ²
L1	棕色(Brown)	2.5mm ²



主要参数 (main parameters)

额定电流: 6A/8A/10A/13A/16A (Rated current: 6A/8A/10A/13A/16A)
 额定电压: 250VAC (Rated voltage: 250VAC)
 绝缘电阻: >5MΩ (DC500V) (insulation resistance: >5MΩ ,DC500V)
 接触阻抗: 0.5 mΩ Max (Contact impedance: 0.5 mΩ Max)
 耐压: 2000V (withstand voltage: 2000V)
 胶壳防火等级: UL94V-0 (Fireproof grade of rubber shell: UL94V-0)
 机械寿命: 空载插拔 >10000 (Mechanical life: unloaded plugged: >10000)
 壳体防护等级: IP54 (Housing protection class: IP54)
 壳体: 热塑性塑胶 (Plastic shell: thermoplastic plastic)
 导体: 铜合金、表面镀银 (Conductor: copper alloy, silver plated surface)
 工作环境温度: -30°C ~ +50°C (Working environment temperature related: -30°C ~ +50°C)
 端子温升: <50K (Terminal temperature rise: <50K)
 耦合插拔力: <100N (Insertion and Extraction Force: <100N)



序号 Serial number	名称 Name	数量 Quantity	材质/规格 Material / Specifications	外观颜色 Exterior color
1	交流充电插头 (Charging plug)	1	PC/PA66+GF30%	黑色 (black)
2	充电线缆 (Charging cable)	1	3*2.5mm ² +1*0.5mm ² 整体线缆TPU	黑色 (black)
3	充电控制盒	1	PC A型漏保	黑色 (black)
4	schuko插头	1		黑色 (black)
设计	日期	材质	图幅	A4
工艺	日期	产品型号	WB-IC-AC1.0-16AS WB-IP2-AC2.1-6-16AS-A	单位 mm
审核	日期	产品料号		页码 1/2
批准	日期	产品名称	欧标单相模式二 (2.1)	版本 1.0

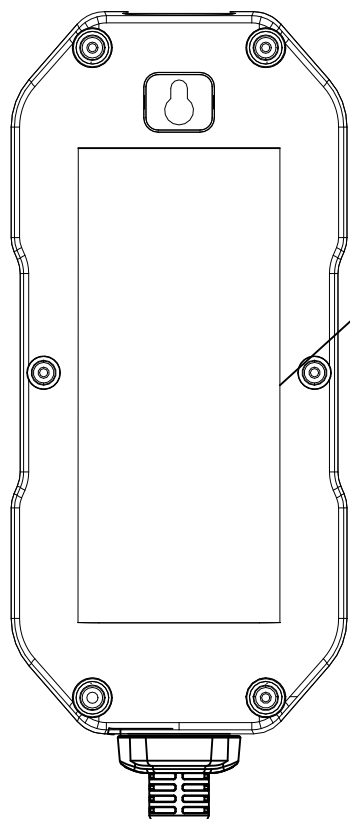
业务确认	
客户代码	
客户编码	
客户确认	



江苏一航电动科技有限公司
 Jiangsu Yihang Electric Science and Technology Co., Ltd
 TEL: 0510-68590018 FAX: 0510-68586808

版本	标记	修订内容	签名	日期
1.0		初始发行	华佳辉	20220906

附件2



EV Charging Box 16A

Model Number:

WB-IP2-AC2.1-6~16AS-A

Specifications:

Input/Output: 250V AC 50/60Hz

Operating Temperature: -25°C to + 55°C

IP Class: IP66

Rated Current: 6A/8A/10A/13A/16A

User Instructions:

Condition	LED Display Status			
	Green (one)	Green (two)	Green (three)	Fault (Red)
Waiting connection	Light on	Lights Off	Lights Off	Lights Off
Charging Mode	Racing light	Racing light	Racing light	Lights Off
Charging complete	Light on	Racing light	Lights Off	Lights Off
Fault Mode	Lights Off	Lights Off	Lights Off	Twinkle
Off ground	Lights Off	Lights Off	Lights Off	Light on

Cautions:

1. Risk of electrical shock or burn.
2. The device does not contain any user-serviceable parts.
3. Please do not disconnect while the charging box is charging.

Warnings:

1. Do not use the charging box if it is damaged.
2. Only used for EV charging.
3. The device must be grounded.
4. Do not use this device with an extension cord or an adapter.

Selecting Current:

1. Use the current switch button to select the maximum charging current. Select the charging current before inserting the charging plug(car side).
2. Press the switch 1 to 12 times to appoint time to charge the EV in 1 to 12 hours. Cancel charging appointment by pressing the switch 13 times.



Importer:
Wieland Group
Pawel Wieland, Ziebicka 17,
60-164 Poznan

业务确认	
客户代码	
客户编码	
客户确认	

设计		日期		材质		图幅	A4
工艺		日期		产品型号	WB-IC-AC1.0-16AS WB-IP2-AC2.1-6~16AS-A	单位	mm
审核		日期		产品料号		页码	2/2
批准		日期		产品名称	欧标单相模式二 (2.1)	版本	1.0



苏州一航电子科技股份有限公司
Workersbee Electronics Technology Holding (su zhou) CO., Ltd
江苏一航电动科技有限公司
Jiangsu Yihang Electric Science and Technology Co., Ltd